

Enclosures

Hinges

Locks

Handles

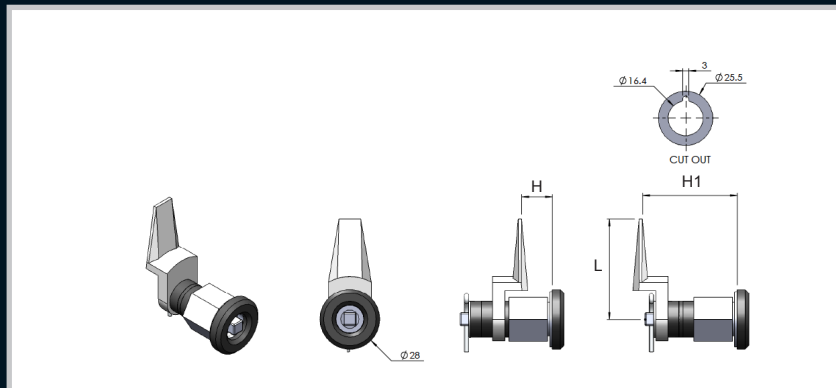
Accessories

Rotary Operating
Handles

Insulators

Transformer
Equipment

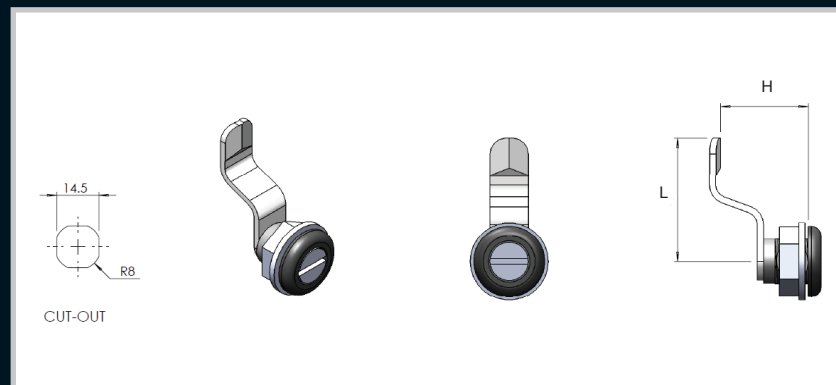
Index



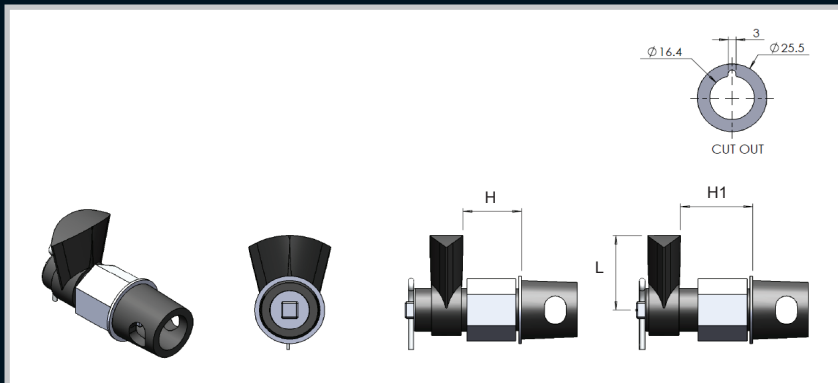
Remarks:

Please refer to page 159 for the selection of the interchangeable cams.

Part Number	Material	Finish	Insert Type	Insert size (mm)	H (mm)	H1 (mm)	L (mm)
16_1_401_01	ZDC	Black Powder Coated	Square	6	21	29	30
16_1_531_01	ZDC	Black Powder Coated	Square	6	21	41	30
16_1_401_04n/z	ZDC	Black Powder Coated	Square	6	10	42	34
16_1_531_04n/z	ZDC	Black Powder Coated	Square	6	10	53	34
16_1_401_05n/z	ZDC	Black Powder Coated	Square	6	10	42	48
16_1_531_05n/z	ZDC	Black Powder Coated	Square	6	10	53	48
16_1_401_06	ZDC	Black Powder Coated	Square	6	17	35	49
16_1_531_06	ZDC	Black Powder Coated	Square	6	17	47	49
16_1_401_08	ZDC	Black Powder Coated	Square	6	17	35	49
16_1_531_08	ZDC	Black Powder Coated	Square	6	17	47	49
16_1_401_09n/z	ZDC	Black Powder Coated	Square	6	22	32	37
16_1_531_09n/z	ZDC	Black Powder Coated	Square	6	22	44	37



Part Number	Material	Finish	Insert Type	H (mm)	L (mm)
16_1_012_06	ZDC	Black powder coated	Coin Slot	12	30
16_1_017_06	ZDC	Black powder coated	Coin Slot	17	30
16_1_028_06	ZDC	Black powder coated	Coin Slot	28	30



Remarks:

Please refer to page 159 for the selection of the interchangeable cams.

Part Number	Material	Finish	Insert Type	Insert size (mm)	H (mm)	H1 (mm)	L (mm)
16_3_401_01	ZDC	Black Powder Coated	Square	6	21	29	30
16_3_531_01	ZDC	Black Powder Coated	Square	6	21	41	30
16_3_401_04n/z	ZDC	Black Powder Coated	Square	6	10	42	34
16_3_531_04n/z	ZDC	Black Powder Coated	Square	6	10	53	34
16_3_401_05n/z	ZDC	Black Powder Coated	Square	6	10	42	48
16_3_531_05n/z	ZDC	Black Powder Coated	Square	6	10	53	48
16_3_401_06	ZDC	Black Powder Coated	Square	6	17	35	49
16_3_531_06	ZDC	Black Powder Coated	Square	6	17	47	49
16_3_401_08	ZDC	Black Powder Coated	Square	6	17	35	49
16_3_531_08	ZDC	Black Powder Coated	Square	6	17	47	49
16_3_401_09n/z	ZDC	Black Powder Coated	Square	6	22	32	37
16_3_531_09n/z	ZDC	Black Powder Coated	Square	6	22	44	37

Enclosures

Hinges

Locks

Handles

Accessories

Rotary Operating Handles

Insulators

Transformer Equipment

Index