

ABD-Busbar Supports

Part Number	Description	Number of Poles	Side A		Side B		Fixing Bolt Size
			Number of Slots	Size of Slots (mm)	Number of Slots	Size of Slots (mm)	
ABD-1/210/306	ABD 1W-2x10/3x6 Slots	1	2	10	3	6	2 x M8
ABD-1/310/406	ABD 1W-3x10/4x6 Slots	1	3	10	4	6	2 x M8
ABD-1/312/310	ABD 1W-3x12/3x10 Slots	1	3	12	3	10	2 x M8
ABD-3/110/106	ABD 3W-1x10/1x6 Slots	3	1	10	1	6	2 x M6
ABD-4/110/106	ABD 4W-1x10/1x6 Slots	4	1	10	1	6	3 x M6
ABD-3/210/306	ABD 3W-2x10/3x6 Slots	3	2	10	3	6	2 x M8
ABD-4/210/306	ABD 4W-2x10/3x6 Slots	4	2	10	3	6	5 x M8

Support Spacings - 6.35mm

* Larger spans are possible as the phase centres are increased. Support intervals are based on 100mm phase centres.

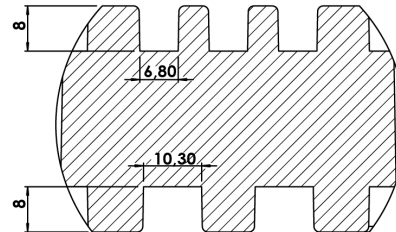
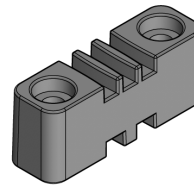
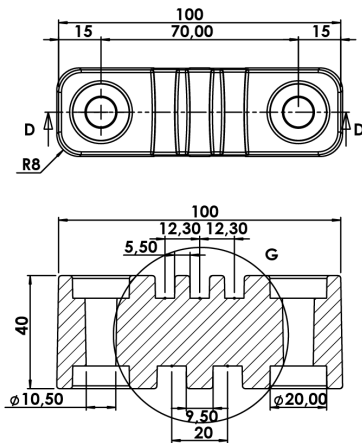
Fault Current (kA)	1 Bar			2 > Bars		
	105	143	176	105	143	176
	50	65	80	50	65	80
	Busbar size (mm)					
ABD-1/210/306 / ABD-1/310/406 / ABD-1/312/310						
50 x 6.35	330	-	-	360	340	-
63 x 6.35	350	320	-	400	360	-
80 x 6.35	400	350	190	420	380	200
100 x 6.35	420	360	190	450	380	200
125 x 6.35	420	360	200	450	380	220
160 x 6.35	420	360	220	450	380	240
ABD-3/110/106 / ABD-4/110/106						
40 x 6.35	-	-	-	-	-	-
50 x 6.35	280	-	-	-	-	-
63 x 6.35	290	230	-	-	-	-
80 x 6.35	300	250	-	-	-	-
100 x 6.35	320	280	-	-	-	-
ABD-3/210/306 / ABD-4/210/306						
50 x 6.35	330	-	-	360	340	-
63 x 6.35	350	320	-	400	360	-
80 x 6.35	400	350	170	420	380	200
100 x 6.35	420	360	190	450	380	200
125 x 6.35	420	360	200	450	380	220
160 x 6.35	420	360	220	450	380	240

Support Spacings - 10mm

* Larger spans are possible as the phase centres are increased. Support intervals are based on 100mm phase centres.

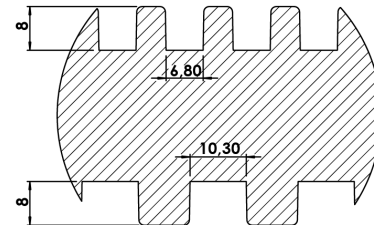
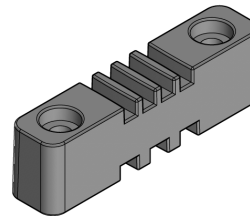
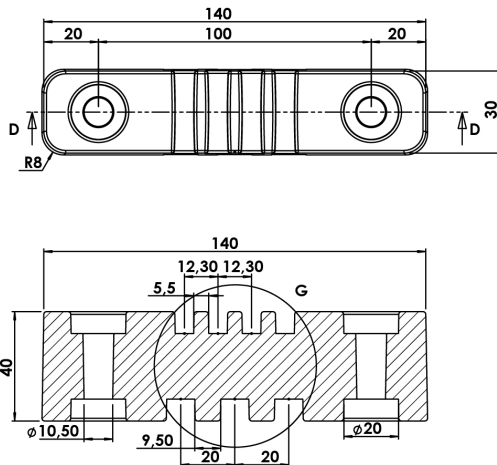
Fault Current (kA)	1 Bar			2 > Bars		
	105	143	176	105	143	176
	50	65	80	50	65	80
Busbar size (mm)						
ABD-1/210/306 / ABD-1/310/406 / ABD-1/312/310						
50 x 10	430	360	-	450	-	-
60 x 10	430	380	220	450	400	240
80 x 10	440	400	230	460	400	250
100 x 10	450	420	250	460	420	260
120 x 10	450	420	250	460	430	260
160 x 10	450	420	260	460	430	270
ABD-3/110/106 / ABD-4/110/106						
30 x 10	300	-				
40 x 10	320	-				
50 x 10	350	250				
60 x 10	350	270				
80 x 10	360	280				
100 x 10	380	300				
ABD-3/210/306 / ABD-4/210/306						
40 x 10	400	-	-	-	-	-
50 x 10	420	380	-	450	-	-
60 x 10	430	380	220	450	400	240
80 x 10	440	390	230	460	400	250
100 x 10	450	400	250	460	420	260
125 x 10	450	430	250	460	430	260
160 x 10	450	430	260	460	430	270

ABD1.210.306



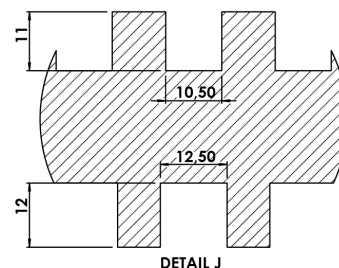
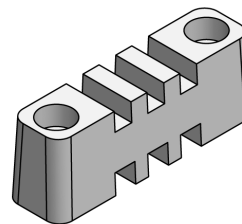
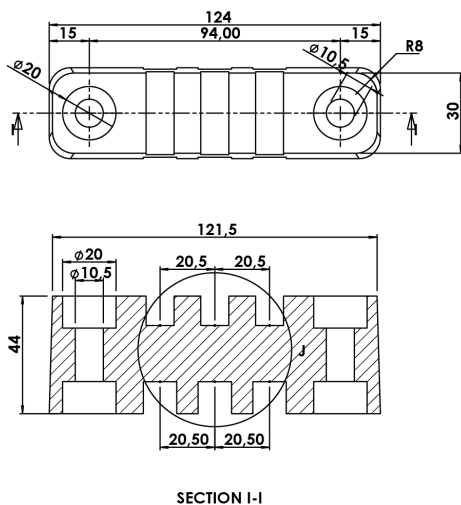
SLOTS DETAIL G

ABD1.310.406



SLOTS DETAIL G

ABD1.312.310

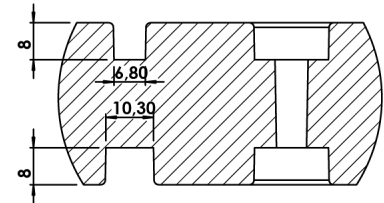
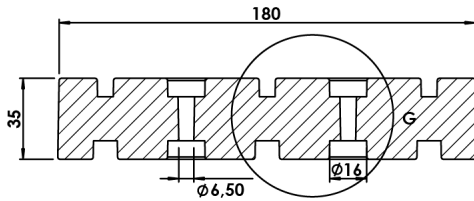
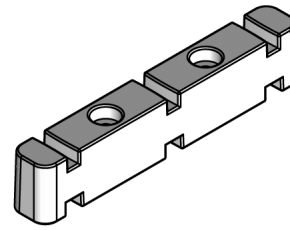
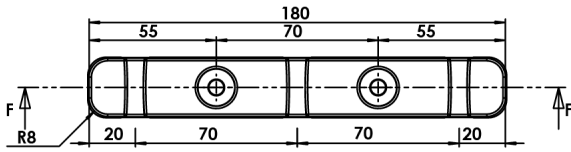


DETAIL J

* PDF & 3D drawings are available on request.

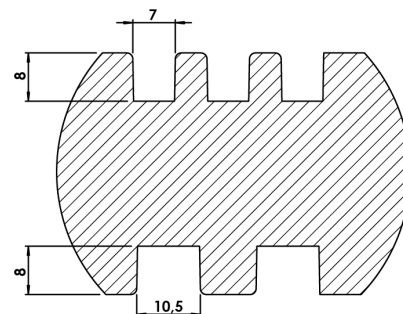
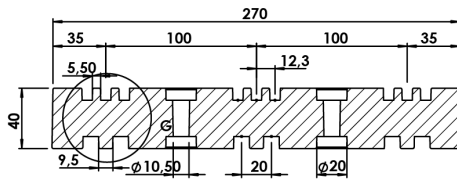
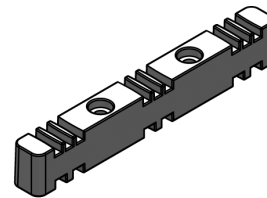
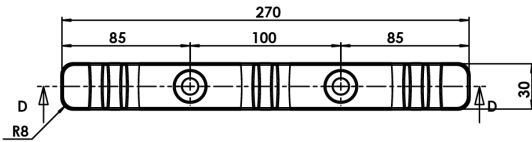
* The standard material for these busbar supports is SMC. Glass Filled Nylon is available on request.

ABD3.110.106



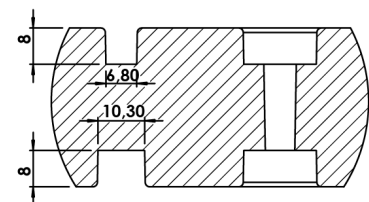
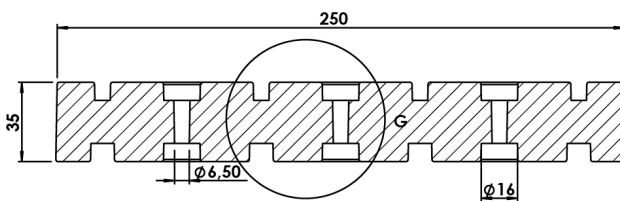
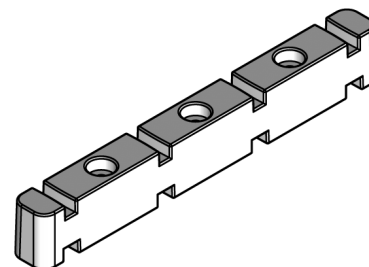
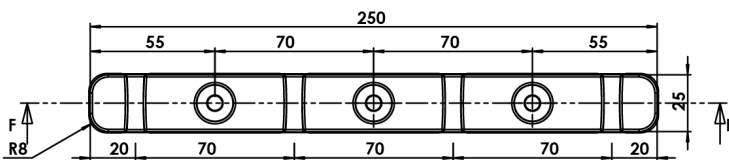
DETAIL G

ABD3.210.306



SLOTS DETAIL G

ABD4.110.106

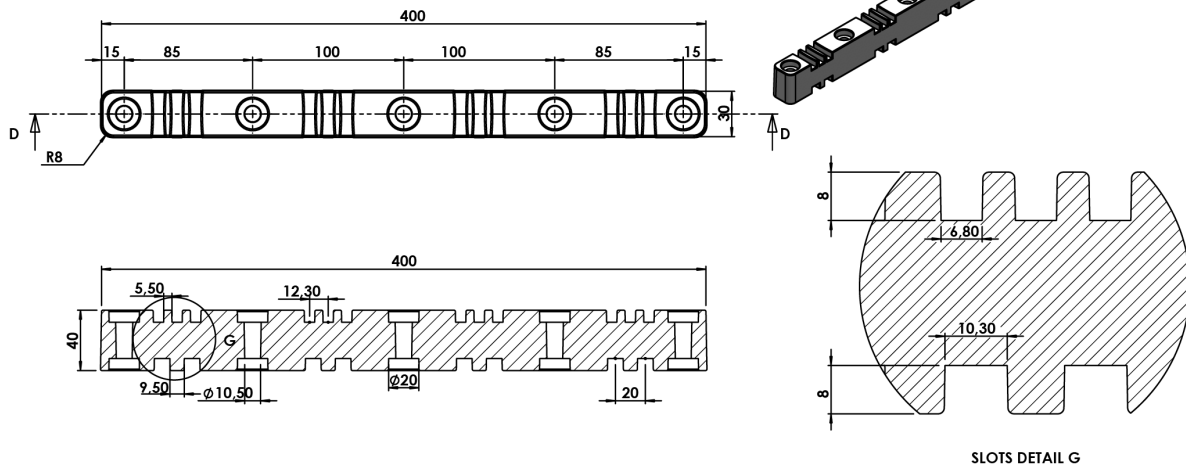


DETAIL G

* PDF & 3D drawings are available on request.

* The standard material for these busbar supports is SMC. Glass Filled Nylon is available on request.

ABD4.210.306



* PDF & 3D drawings are available on request.

* The standard material for these busbar supports is SMC. Glass Filled Nylon is available on request.