

Enclosures

Material	DMC (Dough Moulding Compound)			
Operating Temperature	-50° C to + 200° C			
Glow Wire Capability / Flammability	960° / UL94 V0			
Expected UV Life (Direct Exposure)	25 years +			
IP Level	IP66			
Security Level	1	2	3	4

Hinges

Allbro has launched the very first camera enclosure of its kind. Designed and made in South Africa the Camera-Nest addresses the unique challenges of this application in a manner that has never been done before. Once one lays eyes upon Allbro's new "Camera Nest" it becomes difficult to even call the new invention a camera box.

Locks

Handles

Accessories

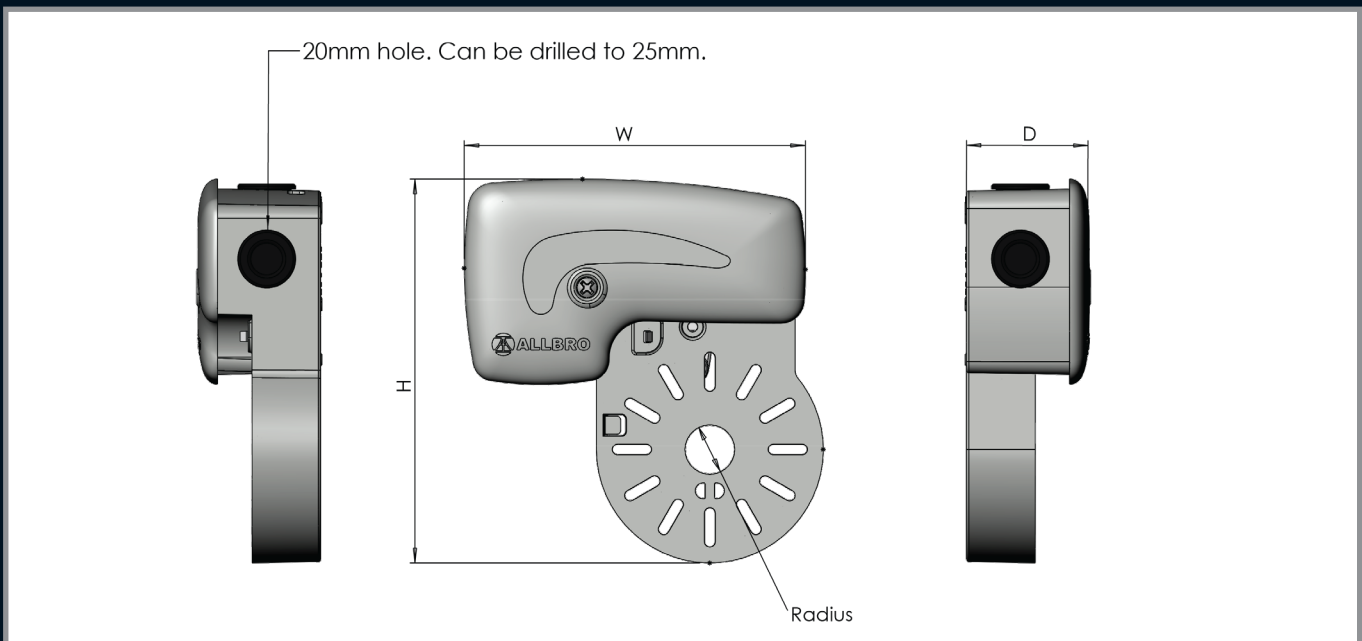


Rotary Operating Handles

Insulators

Transformer Equipment

Index

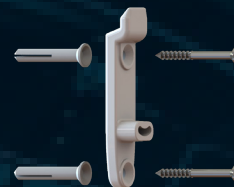


Part Number	Description	H (mm)	W (mm)	D (mm)	Radius (mm)
040-958	Camera-Nest Complete 90mm	156	139	51	20
040-963	Camera-Nest Complete 110mm	174	139	51	53.3

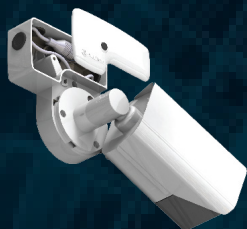
INSTALLATION:



Step 1: Mount the camera on the Camera-Nest™ whilst safely on the ground



*** Step 2:** Mount bracket on the wall.
(NB 6mm Screw/Plug Not Included)



Step 3: Hook unit on the bracket and test/adjust the camera with a tester. All Connections accessible remain.

Step 4: Connect camera wires and close the unit with the cap. The Camera nest is IP 66 and has a UV Life of 25 years

Step 1 continued:

*** Note:** Must be loosened to release rear cover.

Rear cover has two functions release clip for back cover, after removing lid screw,

- 1) Protection of cable entry point
- 2) Lid cover screw secures to rear cover

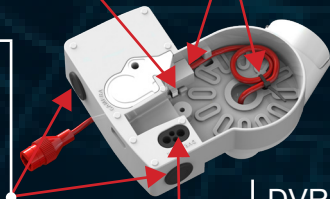


Place Allbro stretch grommet over camera fitting. (Grommet stretches over most fittings)

Cable Management

Note: Outer blank plugs can be removed where applicable for cable glands or conduit fittings

These blanks are NOT intended for use as cable grommets.



DVR/NVR
Cabling entry point



*** NOTE: RECOMMENDED TORQUE FOR LID & MOUNTING BRACKET SCREWS - 1,5Nm --> 2,5Nm**

Enclosures
Hinges
Locks
Handles
Accessories
Rotary Operating Handles
Insulators
Transformer Equipment
Index