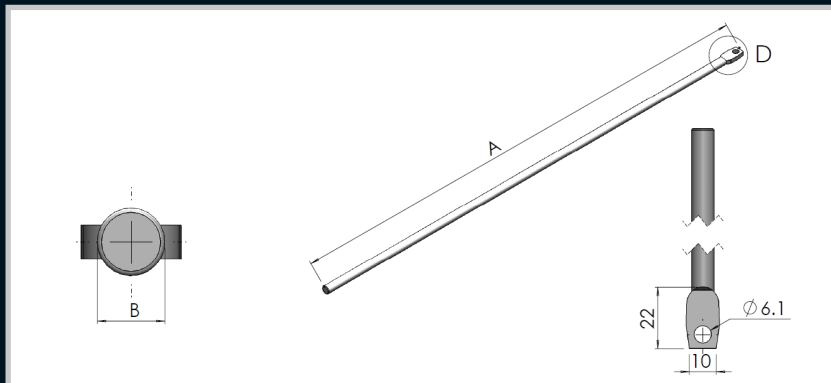


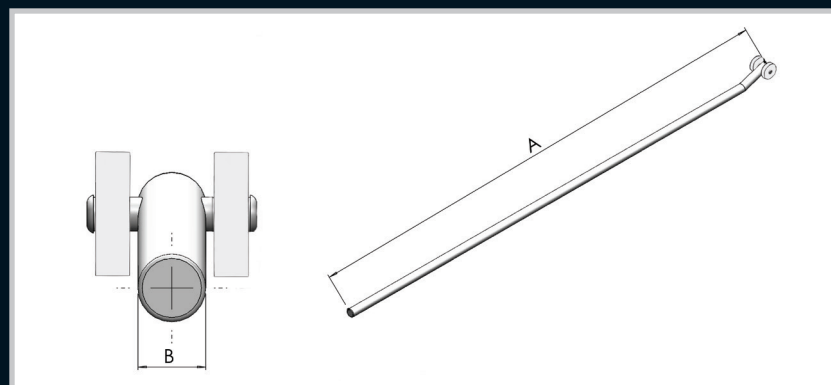
Rods only



Remarks:
It has a 8mm diameter.
Refer to page 159 for compatible cams.

Part Number	Description	Material and Finish	A (mm)	B (mm)
1010130/ROD	Rod only 200mm	Mild Steel	200	8
1010130S/SROD	Rod only 200mm	Stainless Steel	200	8
1010131/ROD	Rod only 320mm	Mild Steel	320	8
1010131S/SROD	Rod only 320mm	Stainless Steel	320	8
1010132/ROD	Rod only 450mm	Mild Steel	450	8
1010132S/SROD	Rod only 450mm	Stainless Steel	450	8
1010133/ROD	Rod only 520mm	Mild Steel	520	8
1010133S/SROD	Rod only 520mm	Stainless Steel	520	8
1010134/ROD	Rod only 720mm	Mild Steel	720	8
1010134S/SROD	Rod only 720mm	Stainless Steel	720	8
1010135/ROD	Rod only 1000mm	Mild Steel	1000	8
1010135S/SROD	Rod only 1000mm	Stainless Steel	1000	8
1010136/ROD	Rod only 1300mm	Mild Steel	1300	8

Locking Rods with Rollers



Remarks:
8mm Mild steel, 8mm 316 Grade stainless steel. Refer to page 159 for compatible cams.

Part Number	Description	Material and Finish	A (mm)	B (mm)
1010135R/1000W	Locking Rods 1000mm with White Nylon Rollers	Mild Steel	1000	8
1010135R/1200W	Locking Rods 1200mm with White Nylon Rollers	Mild Steel	1200	8
1010135R/1200SW	Locking Rods 1200mm with Stainless Steel Rollers	Mild Steel	1200	8
1010135RS/S1200	Stainless Steel Locking Rods 1200mm with Stainless Steel Rollers	Stainless Steel	1200	8

Enclosures

Hinges

Locks

Handles

Accessories

Rotary Operating Handles

Insulators

Transformer Equipment

Index