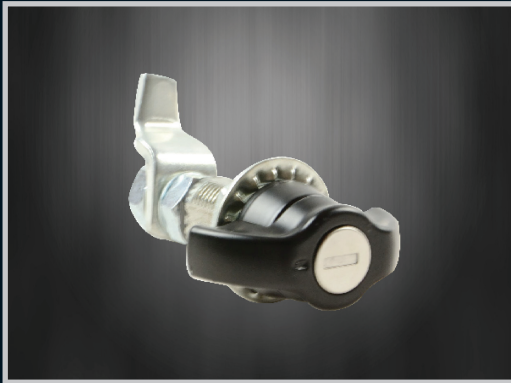


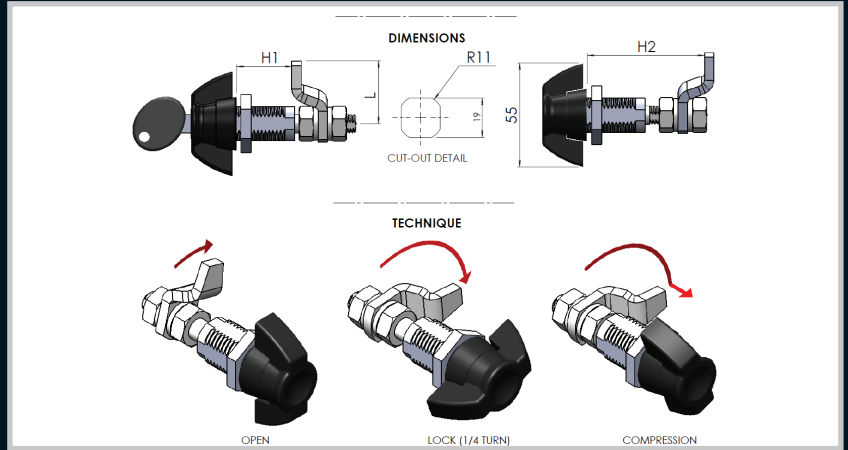
Enclosures

Hinges

Locks



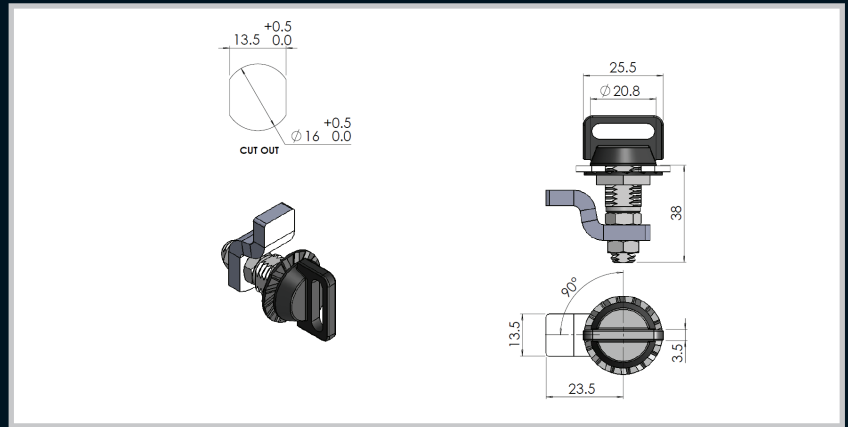
Remarks:
 Compression latch with 6mm compression and adjustable grip range.
 Available in key lockable and non-lockable.



| Part Number | Description | H1 (mm) | H2 (mm) | L (mm) |
|------------------------|--|---------|---------|--------|
| 22_5_28_06 | ZDC Black powder coated wing knob, ZDC body and MS cam | 30 | 65 | 33 |
| 22_5_28_06K (LOCKABLE) | ZDC Black powder coated wing knob, ZDC body and MS cam | 30 | 65 | 33 |

Handles

Accessories



| Part Number | Description |
|---------------|-----------------------------|
| 16_3_38_W/COM | Wing knob compression latch |

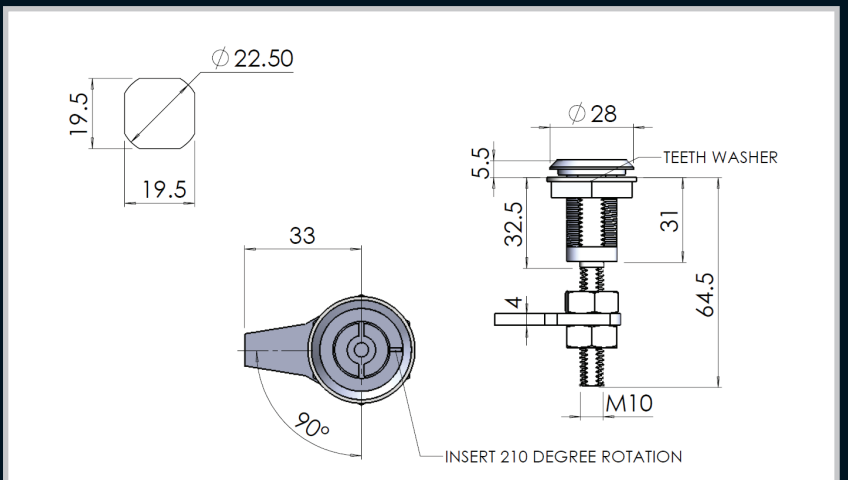
Rotary Operating Handles

Insulators

Transformer Equipment



Remarks:
 For drive options refer to page 157



| Part Number | Material | Finish | Insert Type | Insert size (mm) |
|-----------------|----------|---------------------|-------------|------------------|
| 22_1_55_6_COMP | ZDC | Black powder coated | Square | 6 |
| 22_1_55_4_COMP | ZDC | Black powder coated | Double Bit | 4 |
| 22_1_55_8_COMP | ZDC | Black powder coated | Square | 8 |
| 22_1_55_8T_COMP | ZDC | Black powder coated | Triangular | 8 |
| 22_1_55_S_COMP | ZDC | Black powder coated | Slotted | - |