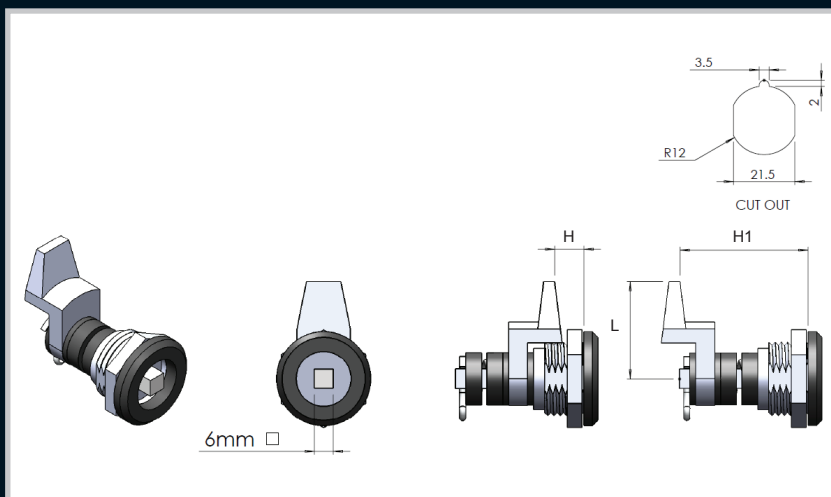


Part Number	Material	Insert Type	Insert size (mm)	H (mm)	L (mm)
25_5_201_04	ZDC body, Mild steel cam	Square	6	20	31
25_5_251_04	ZDC body, Mild steel cam	Square	6	25	31
25_5_281_04	ZDC body, Mild steel cam	Square	6	28	31



**Remarks:**  
Please refer to page 159 for the selection of the interchangeable cams.

Part Number	Material	Finish	Insert Type	Insert size (mm)	H (mm)	H1 (mm)	L (mm)
25_65_401_01	ZDC	Black powder coated	Square	6	16	25	30
25_65_401_04n/z	ZDC	Black powder coated	Square	6	9	41	34
25_65_401_05n/z	ZDC	Black powder coated	Square	6	9	41	48
25_65_401_06	ZDC	Black powder coated	Square	6	13	31	49
25_65_401_08	ZDC	Black powder coated	Square	6	13	31	49
25_65_401_09n/z	ZDC	Black powder coated	Square	6	17	28	37

Enclosures

Hinges

Locks

Handles

Accessories

Rotary Operating Handles

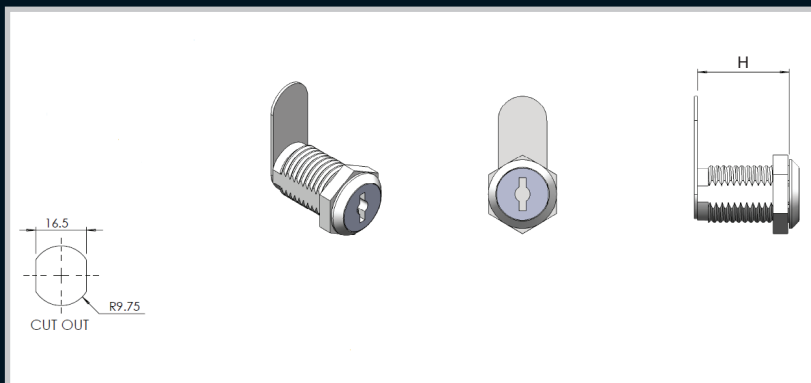
Insulators

Transformer Equipment

Index

Enclosures

Hinges

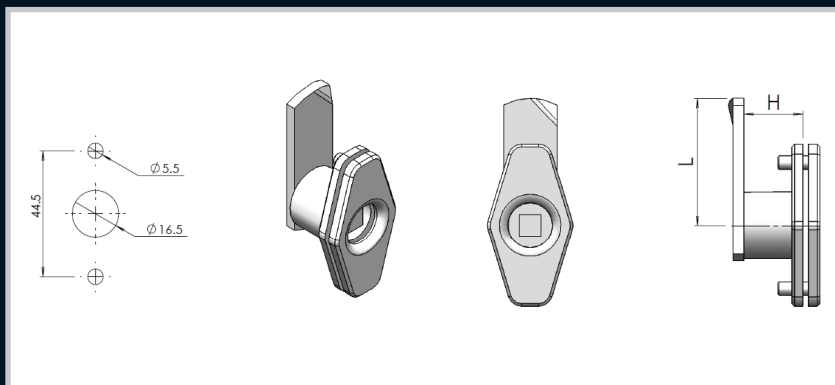


**Remarks:**  
Cam lock available in key different and key alike.

Locks

Part Number	Material	Insert Type	Insert size (mm)	H (mm)
<b>SAME KEY</b>				
1010106/16/SK	ZDC	Slotted	-	16
1010106/20/SK	ZDC	Slotted	-	20
1010106/25/SK	ZDC	Slotted	-	25
<b>DIFFERENT KEY</b>				
1010106/16/DK	ZDC	Slotted	-	16
1010106/20/DK	ZDC	Slotted	-	20
1010106/25/DK	ZDC	Slotted	-	25

Handles



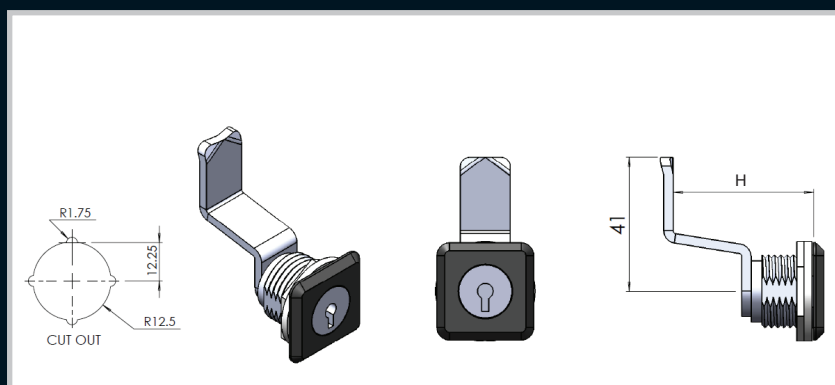
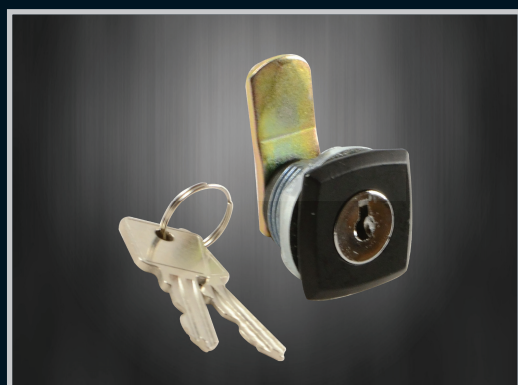
Accessories

**Remarks:**  
Municipal meter box lock.

Rotary Operating Handles

Part Number	Material	Finish	Insert Type	Insert size (mm)	H (mm)	L (mm)
221000	Mild Steel	Natural	Square	8	22	45

Insulators



**Remarks:**  
IP65 panel lock barrel and key driven.

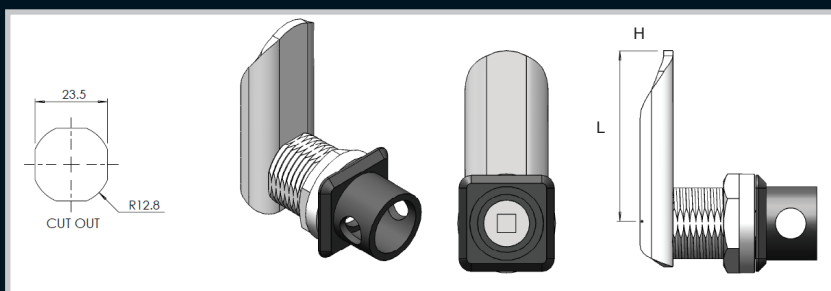
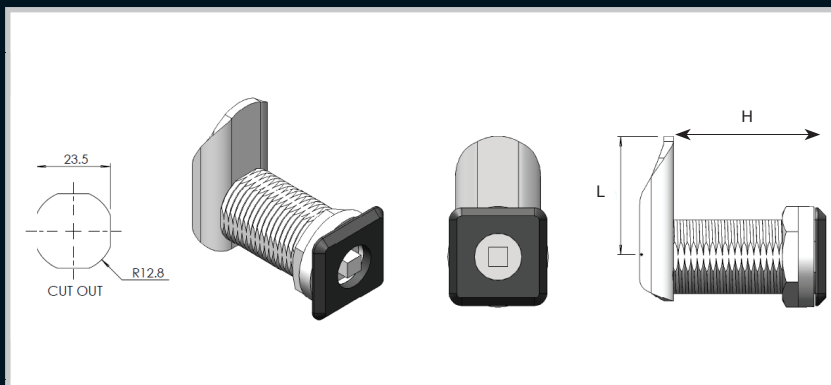
Transformer Equipment

Part Number	Material	Finish	Insert Type	H (mm)
222622/20/60066	ZDC	Black powder coated	Slotted	20
222622/22/60066	ZDC	Black powder coated	Slotted	22
222622/45/60066	ZDC	Black powder coated	Slotted	45
222622/20/60125	ZDC	Black powder coated	Slotted	20
222622/22/60125	ZDC	Black powder coated	Slotted	22
222622/45/60125	ZDC	Black powder coated	Slotted	45

Index



**Remarks:**  
IP 65 panel lock with a 6mm square drive, explosion proof.



Part Number	Material	Finish	Insert Type	Insert size (mm)	H (mm)	L (mm)
25_A65_270_10	Mild Steel	Black powder coated flange	Square	6	27	31
25_B65_270_10	Mild Steel	Black powder coated flange	Square	6	27	48



**Remarks:**  
IP 65 panel lock with 6mm square drive.



Part Number	Material	Finish	Insert Type	Insert size (mm)	H (mm)
222622/20	ZDC	Black powder coated	Square	6	20
222622/22	ZDC	Black powder coated	Square	6	22
222622/25	ZDC	Black powder coated	Square	6	25
222622/36	ZDC	Black powder coated	Square	6	36
222622/41	ZDC	Black powder coated	Square	6	41
222622/45	ZDC	Black powder coated	Square	6	45
222622N/20	Nylon	Black powder coated	Square	6	20
222622N/22	Nylon	Black powder coated	Square	6	22
222622N/25	Nylon	Black powder coated	Square	6	25
222622N/36	Nylon	Black powder coated	Square	6	36
222622N/41	Nylon	Black powder coated	Square	6	41
222622N/45	Nylon	Black powder coated	Square	6	45

Enclosures

Hinges

Locks

Handles

Accessories

Rotary Operating Handles

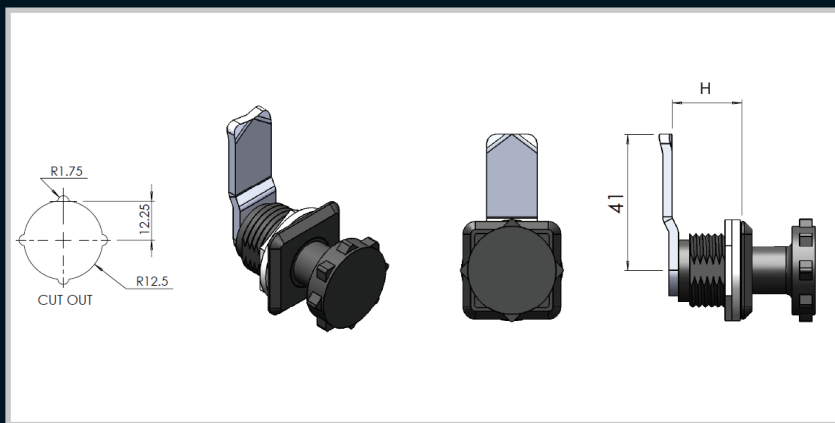
Insulators

Transformer Equipment

Index

Enclosures

Hinges



**Remarks:**  
IP 65 panel lock with D31 knob.

Locks

Part Number	Material	Finish	Insert Type	Insert size (mm)	H (mm)
222622N/20SS	Nylon	Black Powder Coated	-	-	20
222622/HW/22D31	ZDC	Black Powder Coated	-	-	20

Handles

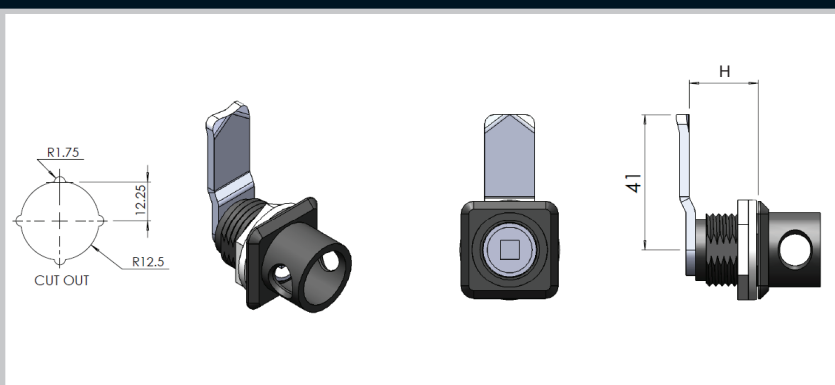
Accessories

Rotary Operating Handles

Insulators

Transformer Equipment

Index



**Remarks:**  
IP 65 pad-lockable panel lock with a 6mm square drive.

Part Number	Material	Finish	Insert Type	Insert size (mm)	H (mm)
222628/20	ZDC	Black Powder Coated	Square	6	20
222628/22	ZDC	Black Powder Coated	Square	6	22
222628/25	ZDC	Black Powder Coated	Square	6	25
222628/36	ZDC	Black Powder Coated	Square	6	36
222628/41	ZDC	Black Powder Coated	Square	6	41
222628/45	ZDC	Black Powder Coated	Square	6	45
222628N/20	ZDC	Black Powder Coated	Square	6	20
222628N/22	ZDC	Black Powder Coated	Square	6	22
222628N/25	ZDC	Black Powder Coated	Square	6	25
222628N/36	ZDC	Black Powder Coated	Square	6	36
222628N/41	ZDC	Black Powder Coated	Square	6	41
222628N/45	ZDC	Black Powder Coated	Square	6	45