

Enclosures

Hinges

Locks

Handles

Accessories

Rotary Operating
Handles

Insulators

Transformer
Equipment

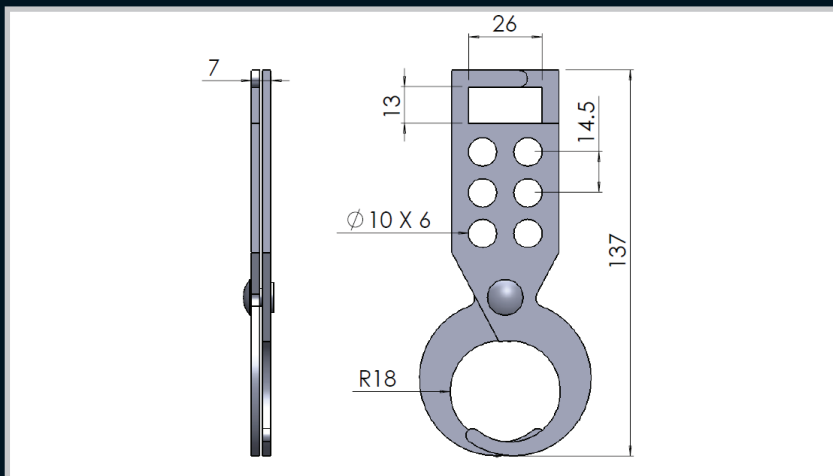
Index

Safety Lock Out Calipar



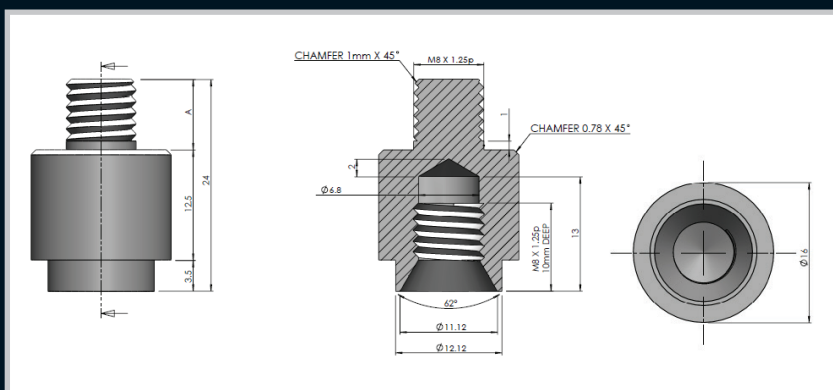
Remarks:

This product is used in conjunction with our rotary operating handle range for MCB's & ELCB'S and an additional safety feature. It can facilitate 6 padlocks with a maximum of 8mm diameter shank. This item is recommended and accepted by NOSA.



Part Number	Description
082-001	Natural Mild Steel

Chassis Studs



Part Number	Description
020-087	M8-M/S-8mm Thread Length
020-088	M8-S/S-8mm Thread Length
020-089	M8-M/S-12mm Thread Length
020-090	M8-S/S-12mm Thread Length
020-091	M8-S/S-19mm Thread Length
020-092	M8-M/S-19mm Thread Length