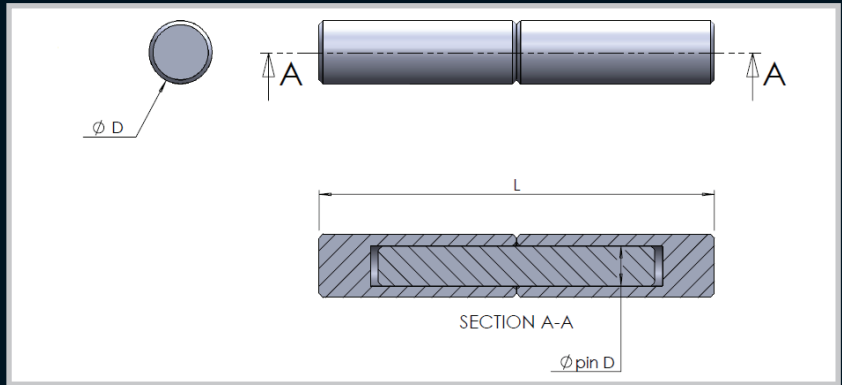
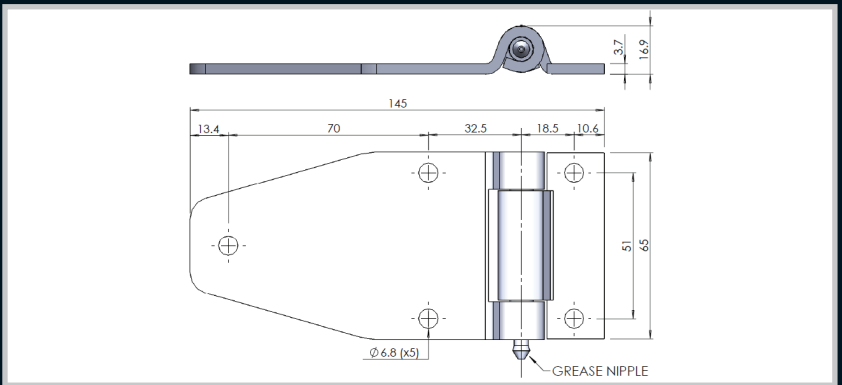


Bullet Hinges



Part Number	Description	L (mm)	D (mm)	Pin D (mm)
M/S70	MS body and Stainless steel pin	70	12	6.35
M/S100	MS body and Stainless steel pin	100	16	10
S/S70	Stainless steel body and Stainless steel pin	70	12	6.35
S/S100	Stainless steel body and Stainless steel pin	100	16	10

Heavy Duty Flap Hinge

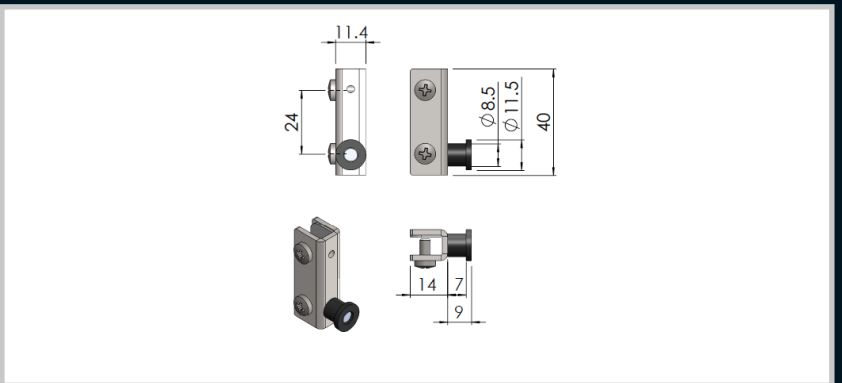


Remarks:

High IP rating due to rubber gasket.
Increased lubrication through the use of the grease nipple.

Part Number	Description
083-003	MS with Stainless steel pin, rubber gasket and grease nipple.
083-003S/S	Complete stainless steel with rubber gasket and grease nipple.

Glass Door Hinge



Part Number	Description
GDHN40MM	Glass Door Hinge - MS Chrome Plated

Enclosures

Hinges

Locks

Handles

Accessories

Rotary Operating Handles

Insulators

Transformer Equipment

Index