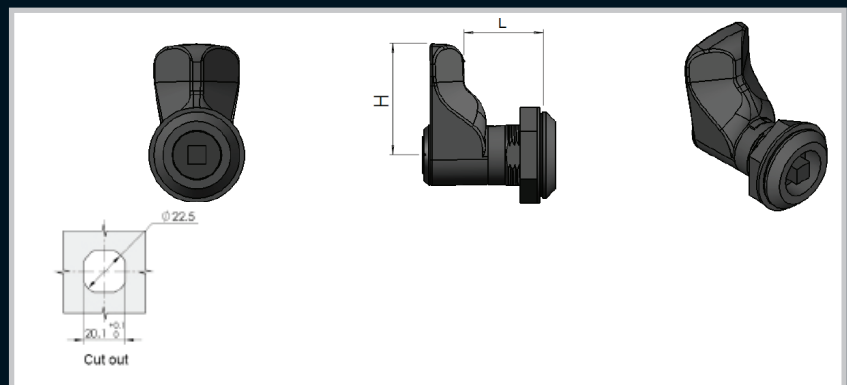


Part Number	Material	Finish	Insert Type	Insert size (mm)	H (mm)	L (mm)
22_1_018P	Polyamide	Black	Square	6	18	35
22_1_015P	Polyamide	Black	Square	6	15	40

Enclosures

Hinges

Locks

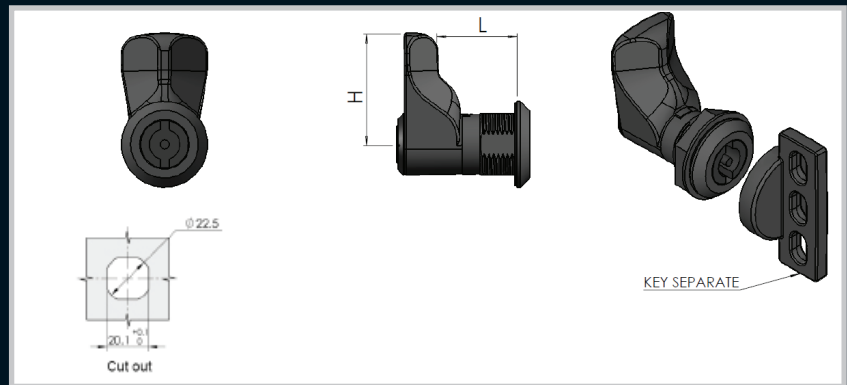


Part Number	Material	Finish	Insert Type	Insert size (mm)	H (mm)	L (mm)
22_1_026P	Polyamide	Black	Square	6	36	26

Handles

Accessories

Rotary Operating Handles



Part Number	Material	Finish	Insert Type	Insert size (mm)	H (mm)	L (mm)
22_1_026P/DB	Polyamide	Black	Double Bit	6	36	26

Insulators

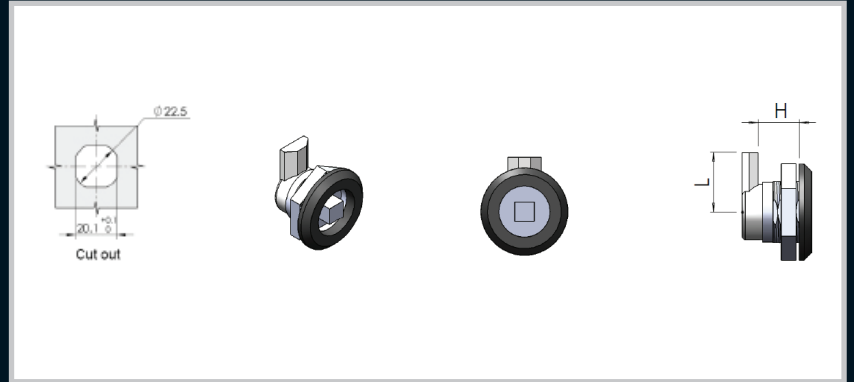
Transformer Equipment

Index

Enclosures

Hinges

Locks

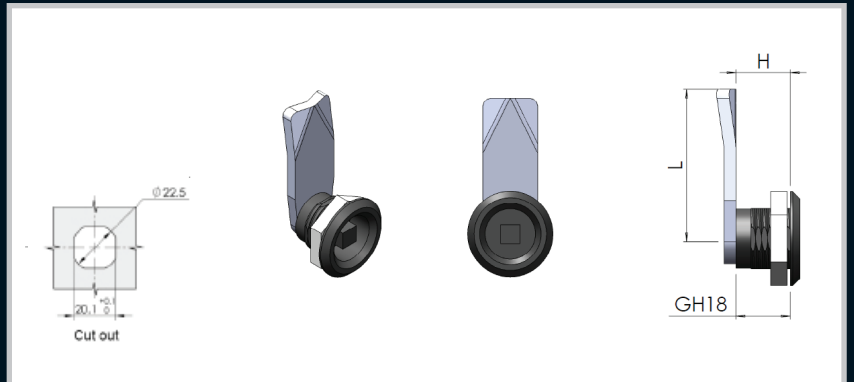
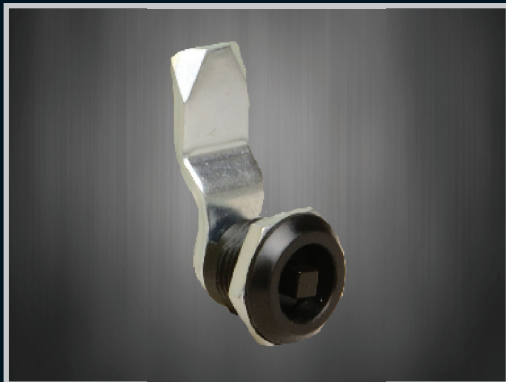


Remarks:
For drive options refer to page 157

Part Number	Material	Finish	Insert Type	Insert size (mm)	H (mm)	L (mm)
22_1_12_06	ZDC	Black Powder Coated	Square	6	12	20

Handles

Accessories



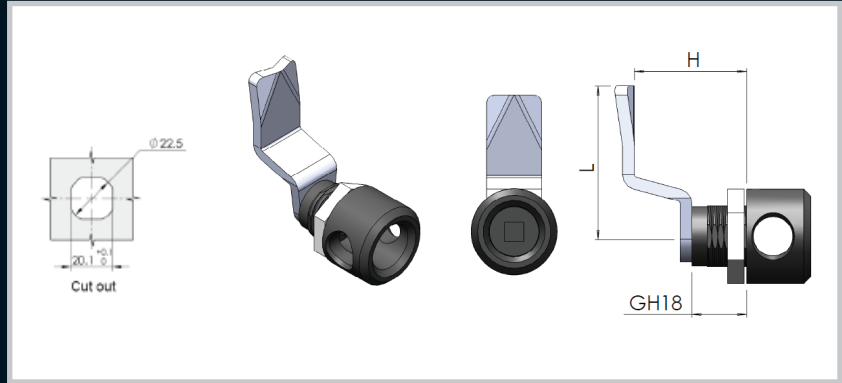
Part Number	Material	Finish	Insert Type	Insert size (mm)	H (mm)	L (mm)
22_1_18B/B6_18	ZDC	Black Powder Coated	Square	6	18	45
22_1_18B/B6_20	ZDC	Black Powder Coated	Square	6	20	45
22_1_18B/B6_22	ZDC	Black Powder Coated	Square	6	22	45
22_1_18B/B6_25	ZDC	Black Powder Coated	Square	6	25	45
22_1_18B/B6_36	ZDC	Black Powder Coated	Square	6	36	45
22_1_18B/B6_41	ZDC	Black Powder Coated	Square	6	41	45
22_1_18B/B6_47	ZDC	Black Powder Coated	Square	6	47	45
22_1_18B/B6_50	ZDC	Black Powder Coated	Square	6	50	45

Rotary Operating Handles

Insulators

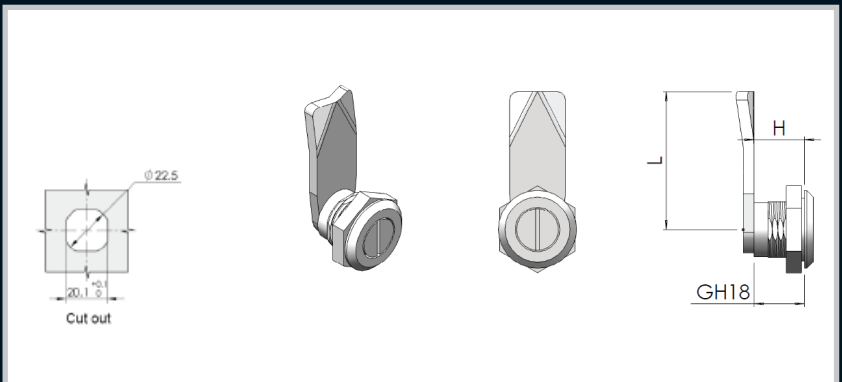
Transformer Equipment

Index



Remarks:
For drive options refer to page 157

Part Number	Material	Finish	Insert Type	Insert size (mm)	H (mm)	L (mm)
22_3_18B/B6_18	ZDC	Black Powder Coated	Square	6	18	45
22_3_18B/B6_20	ZDC	Black Powder Coated	Square	6	20	45
22_3_18B/B6_22	ZDC	Black Powder Coated	Square	6	22	45
22_3_18B/B6_25	ZDC	Black Powder Coated	Square	6	25	45
22_3_18B/B6_36	ZDC	Black Powder Coated	Square	6	36	45
22_3_18B/B6_41	ZDC	Black Powder Coated	Square	6	41	45
22_3_18B/B6_47	ZDC	Black Powder Coated	Square	6	47	45
22_3_18B/B6_50	ZDC	Black Powder Coated	Square	6	50	45



Remarks:
Available in chrome and black.
For drive options refer to page 157

Part Number	Material	Finish	Insert Type	H (mm)	L (mm)
22_1_18B/CS_18	ZDC	Chrome	Slotted	18	45
22_1_18B/CS_20	ZDC	Chrome	Slotted	20	45
22_1_18B/CS_22	ZDC	Chrome	Slotted	22	45
22_1_18B/CS_25	ZDC	Chrome	Slotted	25	45
22_1_18B/CS_36	ZDC	Chrome	Slotted	36	45
22_1_18B/CS_41	ZDC	Chrome	Slotted	41	45
22_1_18B/CS_47	ZDC	Chrome	Slotted	47	45
22_1_18B/CS_50	ZDC	Chrome	Slotted	50	45

Enclosures

Hinges

Locks

Handles

Accessories

Rotary Operating Handles

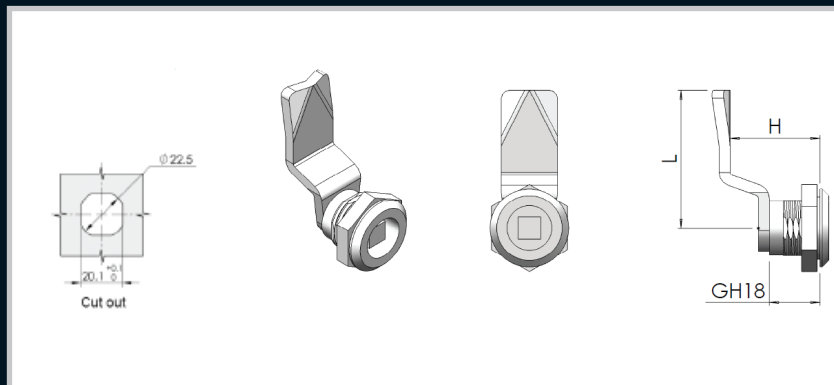
Insulators

Transformer Equipment

Index

Enclosures

Hinges



Locks

Remarks:

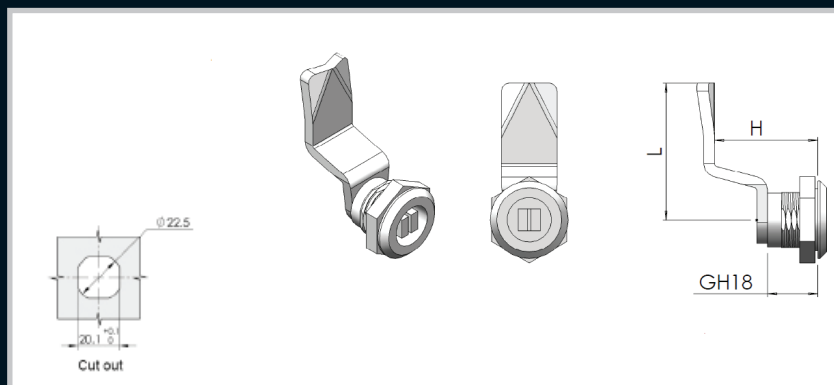
Available in chrome and black.
For drive options refer to page 157

Part Number	Material	Finish	Insert Type	Insert size (mm)	H (mm)	L (mm)
22_1_18B/C8_18	ZDC	Chrome	Square	6,7 or 8	18	45
22_1_18B/C8_20	ZDC	Chrome	Square	6,7 or 8	20	45
22_1_18B/C8_22	ZDC	Chrome	Square	6,7 or 8	22	45
22_1_18B/C8_25	ZDC	Chrome	Square	6,7 or 8	25	45
22_1_18B/C8_36	ZDC	Chrome	Square	6,7 or 8	36	45
22_1_18B/C8_41	ZDC	Chrome	Square	6,7 or 8	41	45
22_1_18B/C8_47	ZDC	Chrome	Square	6,7 or 8	47	45
22_1_18B/C8_50	ZDC	Chrome	Square	6,7 or 8	50	45

Handles

Accessories

Rotary Operating Handles



Insulators

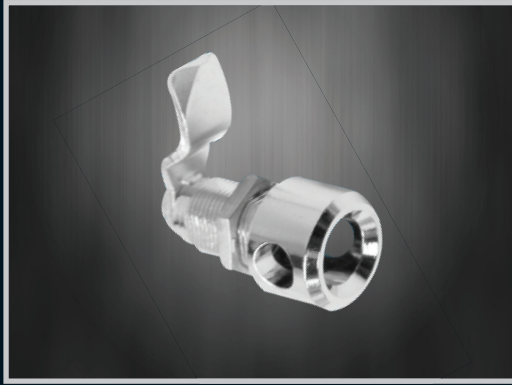
Remarks:

Quick assembly with 8mm square drive and coin slot combination.
Available in chrome and black.
For drive options refer to page 157

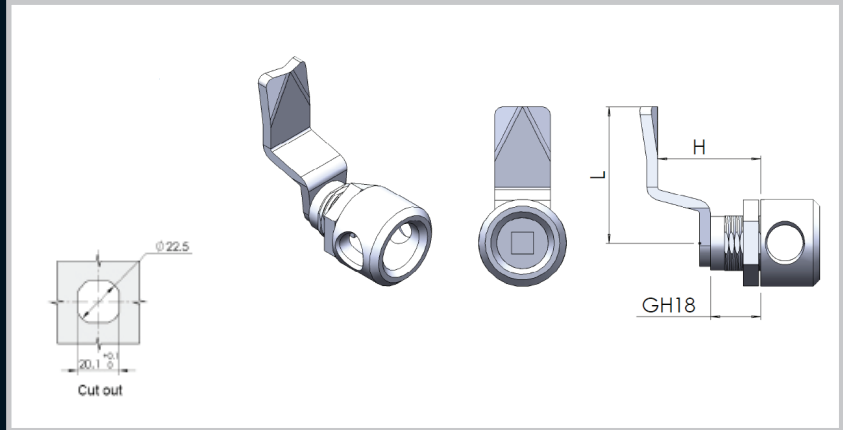
Part Number	Material	Finish	Insert Type	Insert size (mm)	H (mm)	L (mm)
22_1_18B/C8S_18	ZDC	Chrome	Square Slotted	8	18	45
22_1_18B/C8S_20	ZDC	Chrome	Square Slotted	8	20	45
22_1_18B/C8S_22	ZDC	Chrome	Square Slotted	8	22	45
22_1_18B/C8S_25	ZDC	Chrome	Square Slotted	8	25	45
22_1_18B/C8S_36	ZDC	Chrome	Square Slotted	8	36	45
22_1_18B/C8S_41	ZDC	Chrome	Square Slotted	8	41	45
22_1_18B/C8S_47	ZDC	Chrome	Square Slotted	8	47	45
22_1_18B/C8S_50	ZDC	Chrome	Square Slotted	8	50	45

Transformer Equipment

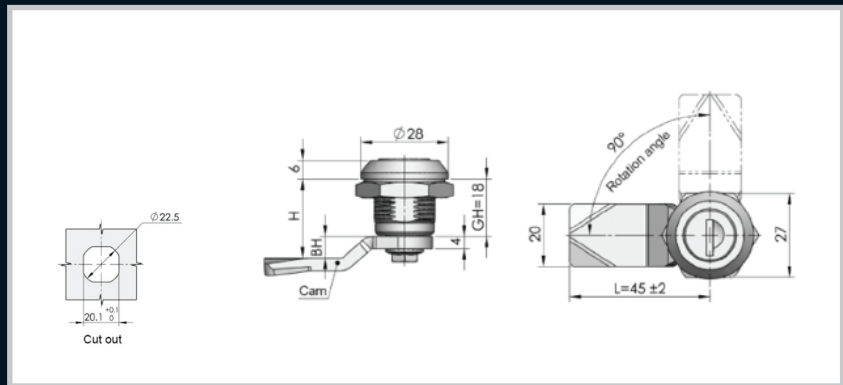
Index



Remarks:
Quick assembly quarter turn with a 8 mm and 6mm slotted drive.
For drive options refer to page 157



Part Number	Material	Finish	Insert Type	Insert size (mm)	H (mm)	L (mm)
22_3_18B/SS6_18	Stainless Steel	Natural	Slotted	6	18	45
22_3_18B/SS6_20	Stainless Steel	Natural	Slotted	6	20	45
22_3_18B/SS6_22	Stainless Steel	Natural	Slotted	6	22	45
22_3_18B/SS6_25	Stainless Steel	Natural	Slotted	6	25	45
22_3_18B/SS6_36	Stainless Steel	Natural	Slotted	6	36	45
22_3_18B/SS6_41	Stainless Steel	Natural	Slotted	6	41	45
22_3_18B/SS6_47	Stainless Steel	Natural	Slotted	6	47	45
22_3_18B/SS6_50	Stainless Steel	Natural	Slotted	6	50	45
22_3_18B/SS8_18	Stainless Steel	Natural	Slotted	8	18	45
22_3_18B/SS8_20	Stainless Steel	Natural	Slotted	8	20	45
22_3_18B/SS8_22	Stainless Steel	Natural	Slotted	8	22	45
22_3_18B/SS8_25	Stainless Steel	Natural	Slotted	8	25	45
22_3_18B/SS8_36	Stainless Steel	Natural	Slotted	8	36	45
22_3_18B/SS8_41	Stainless Steel	Natural	Slotted	8	41	45
22_3_18B/SS8_47	Stainless Steel	Natural	Slotted	8	47	45
22_3_18B/SS8_50	Stainless Steel	Natural	Slotted	8	50	45



Part Number	Material	Finish	Type	H (mm)	L (mm)
22_1_18B/92268_18	ZDC	Black P/C	Keyed	18	45
22_1_18B/92268_20	ZDC	Black P/C	Keyed	20	45
22_1_18B/92268_22	ZDC	Black P/C	Keyed	22	45
22_1_18B/92268_25	ZDC	Black P/C	Keyed	25	45
22_1_18B/92268_36	ZDC	Black P/C	Keyed	36	45
22_1_18B/92268_41	ZDC	Black P/C	Keyed	41	45
22_1_18B/92268_47	ZDC	Black P/C	Keyed	47	45
22_1_18B/92268_50	ZDC	Black P/C	Keyed	50	45

Enclosures

Hinges

Locks

Handles

Accessories

Rotary Operating Handles

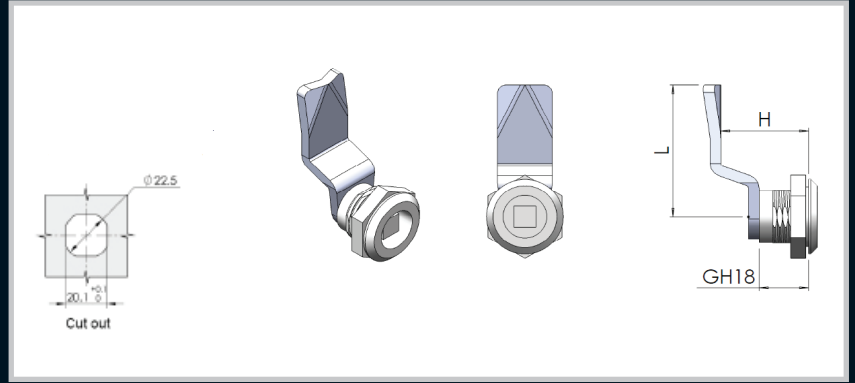
Insulators

Transformer Equipment

Index

Enclosures

Hinges



Locks

Remarks:
316 Stainless Steel
For drive options refer to page 157

Part Number	Material	Finish	Insert Type	Insert size (mm)	H (mm)	L (mm)
22_1_18B/SS6_18	Stainless Steel	Natural	6	Square	18	45
22_1_18B/SS6_20	Stainless Steel	Natural	6	Square	20	45
22_1_18B/SS6_22	Stainless Steel	Natural	6	Square	22	45
22_1_18B/SS6_25	Stainless Steel	Natural	6	Square	25	45
22_1_18B/SS6_36	Stainless Steel	Natural	6	Square	36	45
22_1_18B/SS6_41	Stainless Steel	Natural	6	Square	41	45
22_1_18B/SS6_47	Stainless Steel	Natural	6	Square	47	45
22_1_18B/SS6_50	Stainless Steel	Natural	6	Square	50	45
22_1_18B/SS8_18	Stainless Steel	Natural	8	Square	18	45
22_1_18B/SS8_20	Stainless Steel	Natural	8	Square	20	45
22_1_18B/SS8_22	Stainless Steel	Natural	8	Square	22	45
22_1_18B/SS8_25	Stainless Steel	Natural	8	Square	25	45
22_1_18B/SS8_36	Stainless Steel	Natural	8	Square	36	45
22_1_18B/SS8_41	Stainless Steel	Natural	8	Square	41	45
22_1_18B/SS8_47	Stainless Steel	Natural	8	Square	47	45
22_1_18B/SS8_50	Stainless Steel	Natural	8	Square	50	45

Handles

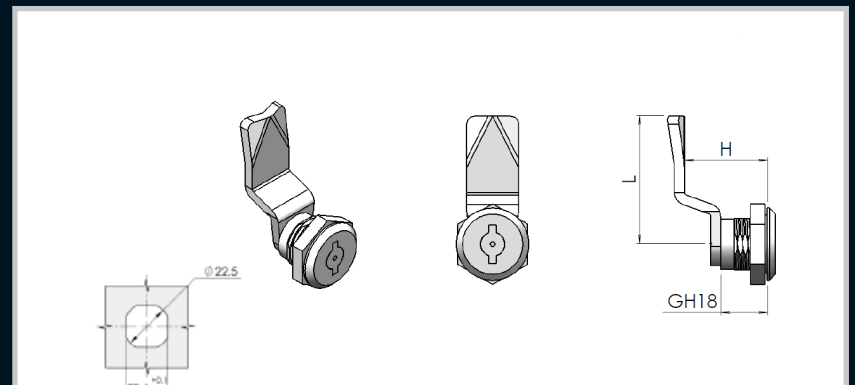
Accessories

Rotary Operating Handles

Insulators

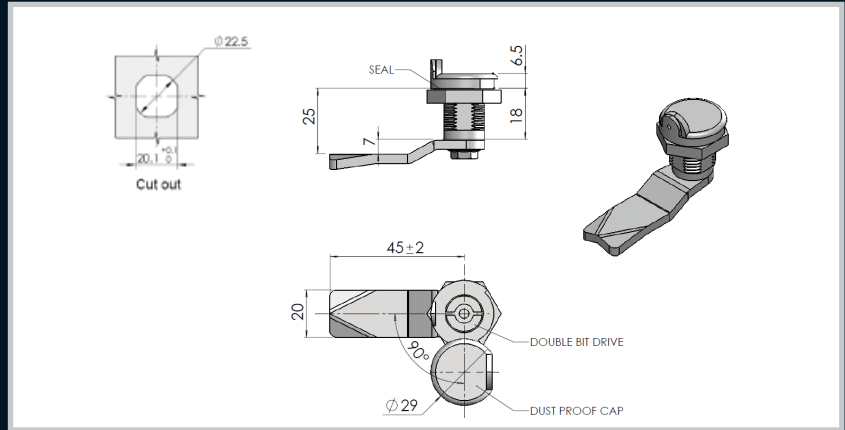
Transformer Equipment

Index

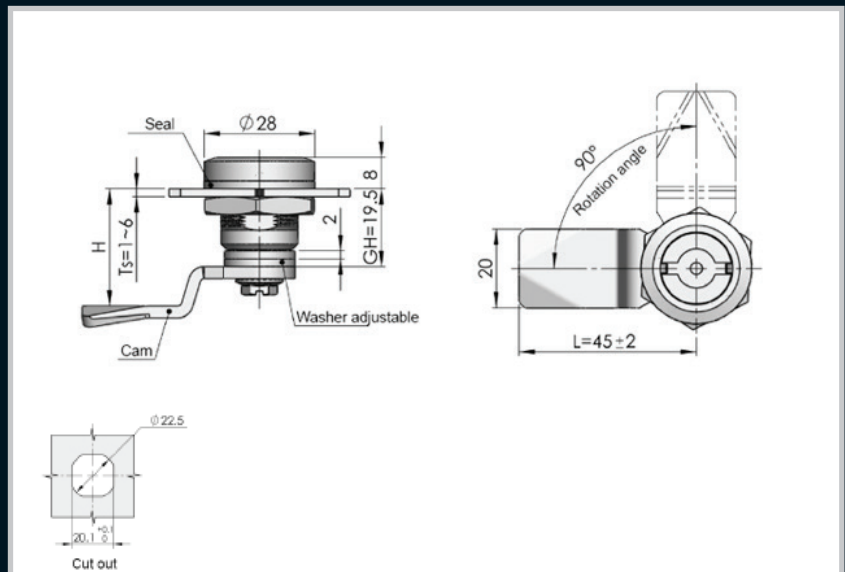


Remarks:
Spring Loaded Quarter Turn Lock IP 65

Part Number	Material	Finish	Insert Type	Insert size (mm)	H (mm)	L (mm)
22_1_18B/C2_18	Chrome	Natural	Double Bit	6	18	45
22_1_18B/C2_20	Chrome	Natural	Double Bit	6	20	45
22_1_18B/C2_25	Chrome	Natural	Double Bit	6	25	45
22_1_18B/C2_30	Chrome	Natural	Double Bit	6	30	45



Part Number	Material	Finish	Insert Type	Insert size (mm)
22_6_18B/C8S_18	Chrome	Natural	Double Bit	8
22_6_18B/C8S_20	Chrome	Natural	Double Bit	8
22_6_18B/C8S_22	Chrome	Natural	Double Bit	8
22_6_18B/C8S_25	Chrome	Natural	Double Bit	8
22_6_18B/C8S_36	Chrome	Natural	Double Bit	8
22_6_18B/C8S_41	Chrome	Natural	Double Bit	8
22_6_18B/C8S_47	Chrome	Natural	Double Bit	8
22_6_18B/C8S_50	Chrome	Natural	Double Bit	8



Remarks:

Pad-lockable version also available.
Please refer to page 157 for more drive options.

Part Number	Material	Finish	Insert Type	Insert size (mm)
22_1_18B/B4D_20	ZDC	Black P/C	Double Bit	4
22_1_18B/B4D_25	ZDC	Black P/C	Double Bit	4
22_1_18B/B4D_36	ZDC	Black P/C	Double Bit	4
22_1_18B/B4D_41	ZDC	Black P/C	Double Bit	4

Enclosures

Hinges

Locks

Handles

Accessories

Rotary Operating Handles

Insulators

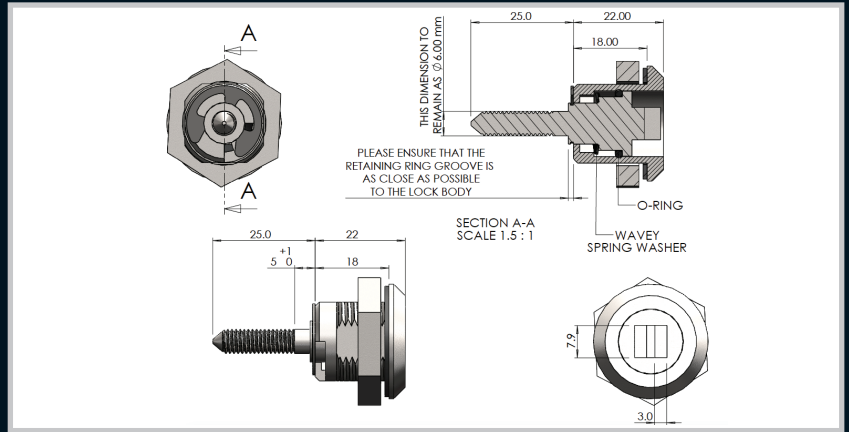
Transformer Equipment

Index

Enclosures

Hinges

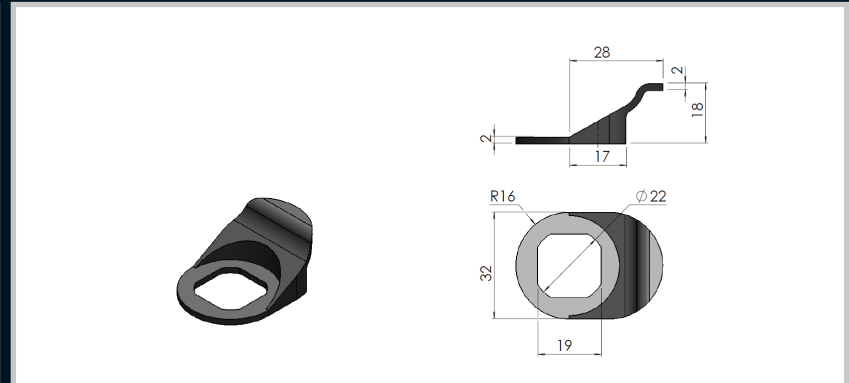
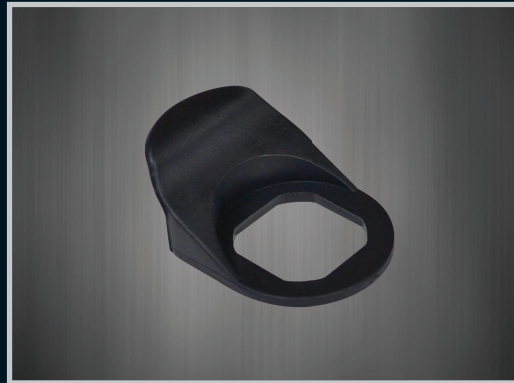
Locks



Part Number	Material	Finish	Insert Type	Insert size (mm)
22_1_18B/C8S_T25	ZDC	Chrome Plated	Square Slotted	8
22_1_18B/C8S_T36	ZDC	Chrome Plated	Square Slotted	8

Handles

Accessories

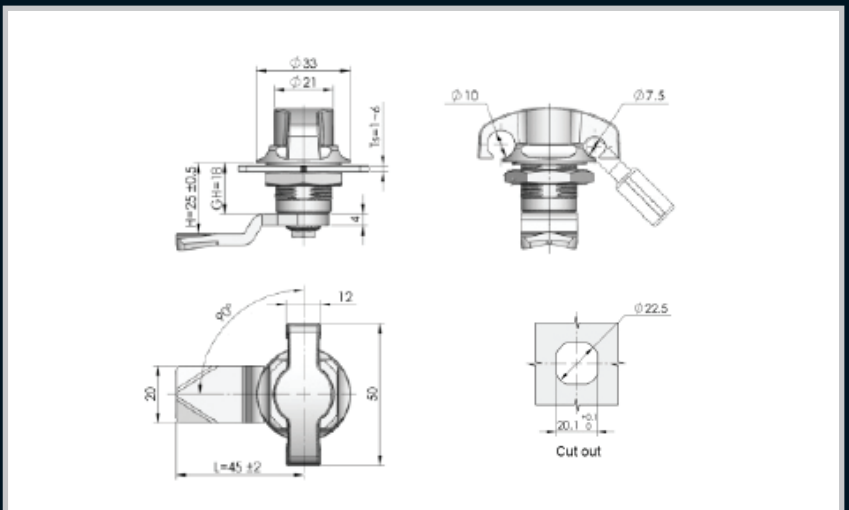


Part Number	Description
FP_22	PA Finger pull to suite 22 series locks and compression latches

Rotary Operating Handles

Insulators

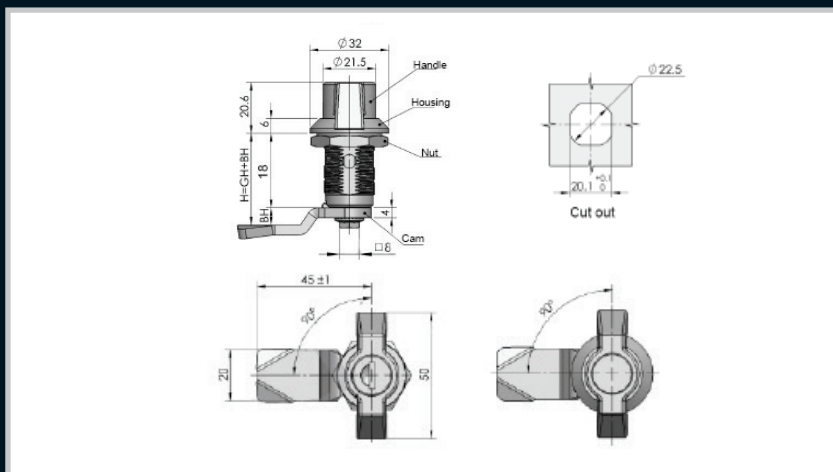
Transformer Equipment



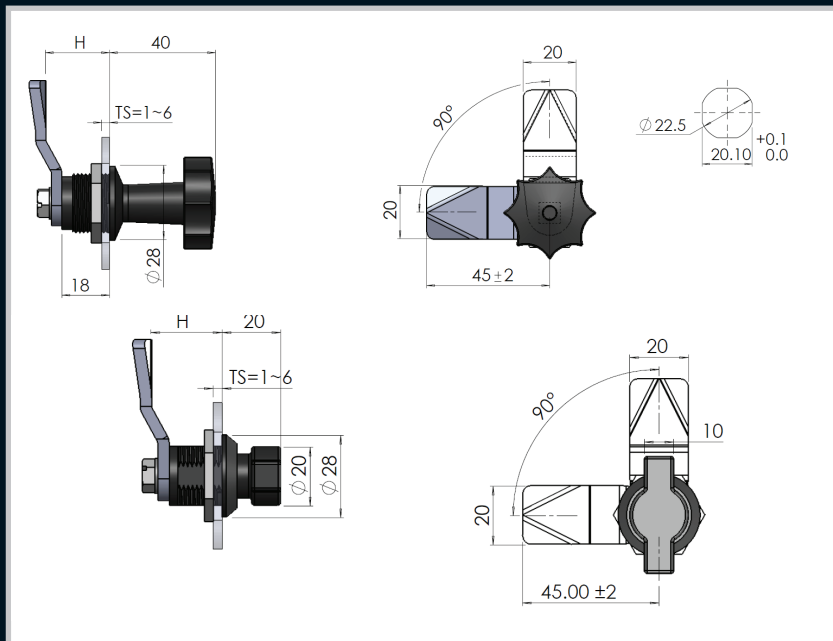
Part Number	Description
22_3_25W/P	Padlockable wing knob

Index

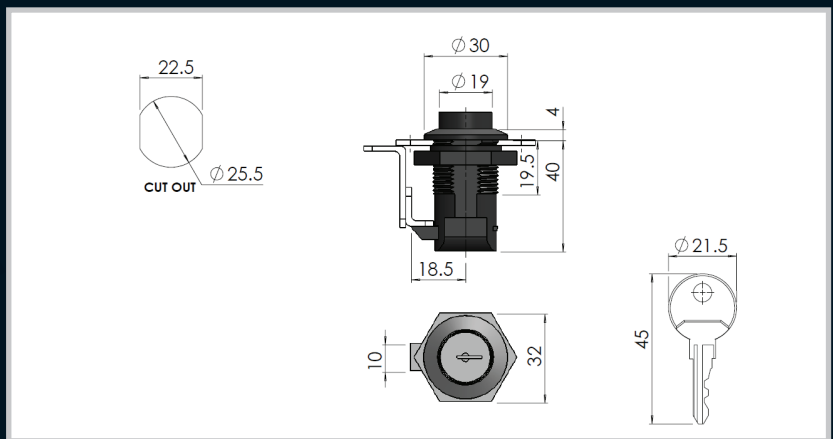
Wing Knob



Part Number	Description
22_3_25_W/K	Key Lockable wing knob



Part Number	Description
22_3_28_K/N_B	Knob handle
22_3_25_L/W	Quarter turn wing knob , Large



Part Number	Description
22_2_25B/K	Push Button Latch Lockable

Enclosures

Hinges

Locks

Handles

Accessories

Rotary Operating
Handles

Insulators

Transformer
Equipment

Index